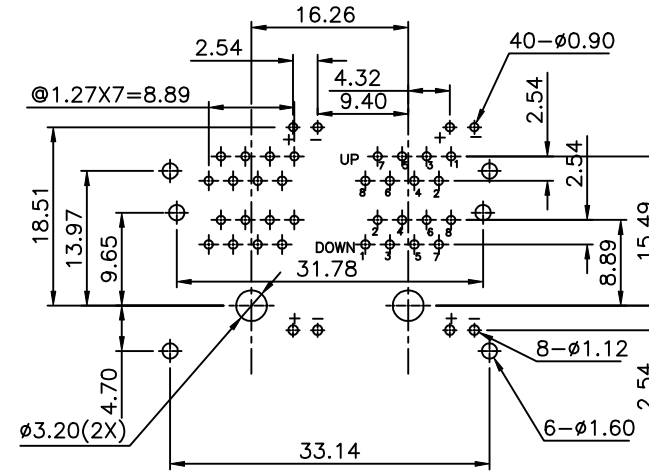
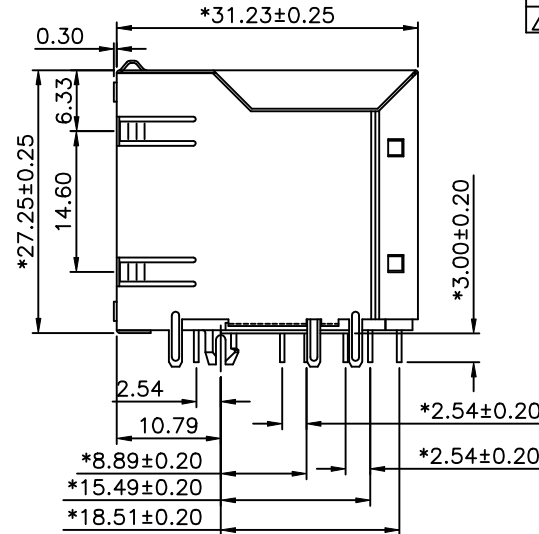
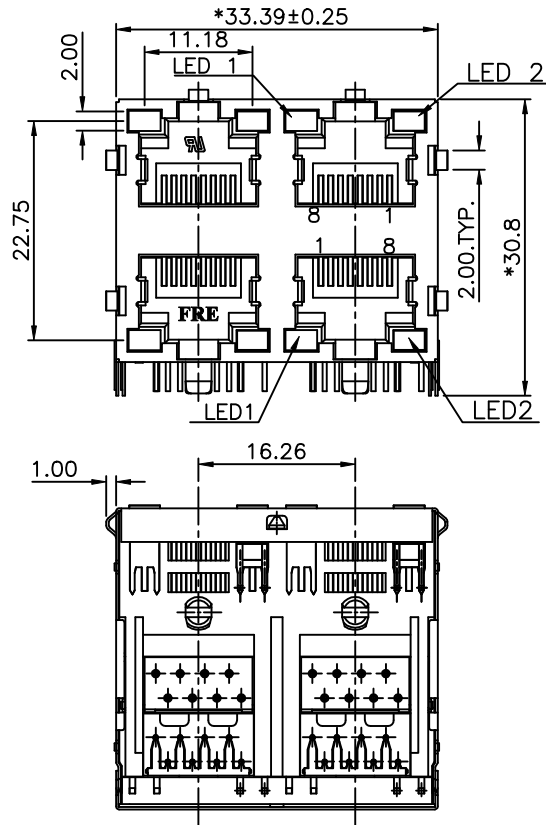


REVISION RECORD				
REV	ECO	DESCRIPTION	DRFT	CHKD
△		P/N MODIFY	Jake 04/27/05	



PC Board Layout
Component Side Shown

NOTES:

ELECTRICAL:

- VOLTAGE RATING : 125 VAC RMS.
- CURRENT RATING : 1.5 AMP.
- CONTACT RESISTANCE : 50 MILLIOHMS MAX.
- INSULATION RESISTANCE: 1000 MEGOHMS MIN @ 500 VDC.
- DIELECTRIC STRENGTH : 1000 VAC RMS 60Hz, 1MIN.

MECHANICAL:

- HOUSING MATERIAL : FR52 UL94V-0.
- CONTACT MATERIAL : PHOSPHOR BRONZE Ø0.46mm.
- PLATING : 1: CONTACT AREA- SELECTIVE GOLD PLATING.
2: TAILS- 150u" TIN-LEAD MIN OVER 50u" NICKEL.
- OPERATING LIFE : 750 CYCLES MIN.
- PCB RETENTION PRE-SOLDER : 1 LB MIN.
- PCB RETENTION POST-SOLDER: 10 LBS MIN.
- LED SIZE : 3.2*2.0*4.0=2.29mm

ENVIRONMENTAL:

- STORAGE : -40°C TO +85°C.
- OPERATION: 0°C TO 70°C.
- WAVE SOLDERING TEMPERATURE: 255~265"(5~10 SECONDS)

MATES WITH MODULAR PLUG CONFORMING TO
FCC PART 68, SUBPART F.

PART NUMBER: E5J88-G5A3FX-L

G5-LED1:W/O LED2:GREEN TOP TABS&SIDE TABS

Gold Thickness:
1- 3u" 2- 6u" 3-15u"
4-30u" 5-50u"

3F-W/FRE&UL PLATE NI SHELD ROUND FR52 BK △

DETACHED LISTS	MM (INCH)	DFTO PETERS	DATE 03/25/05
	TOLERANCES EXCEPT AS NOTED	CHKDSAMMY	DATE 2005/4/27
		MFO	DATE
		APPVLLUSHENG	DATE 2005/4/27
MM	±	MATERIAL :	
.0 ±0.20	±	QT'Y :	
.00 ±0.15	±	FINISH :	
.000 ±0.075	±	SCALE : 5:3	
ANGLES ±			
THIRD ANGLE PROJECTION			

FULL RISE ELECTRONIC CO., LTD			
TITLE RJ45(LED) STACKED GANGED JACK, 2X2			
DRAWING NO. GE5J3198-LA		SIZE A3	REV 1
/PART NO. SEE NOTE		04/27/05	
DO NOT SCALE DRAWING		SHEET 1	OF